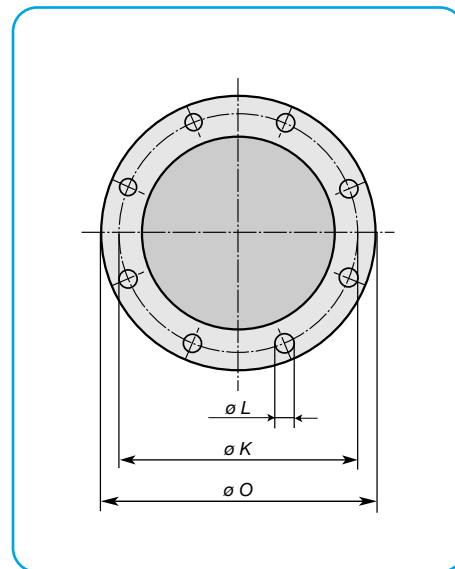
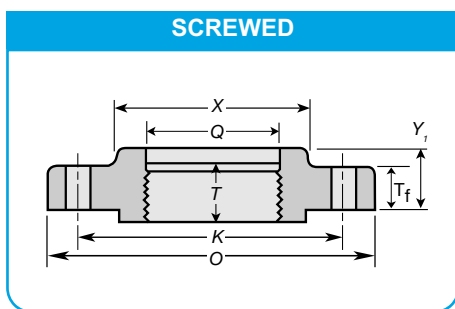
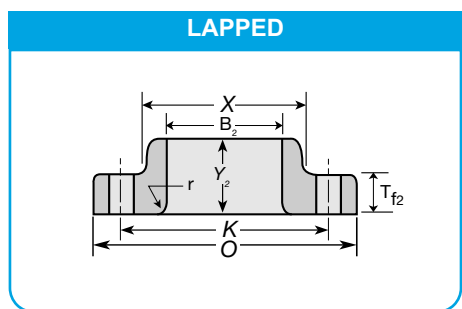
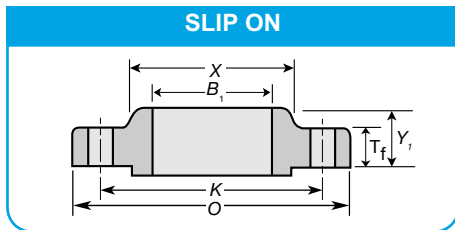
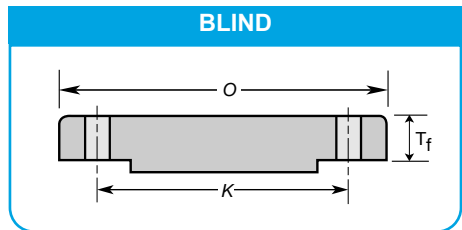
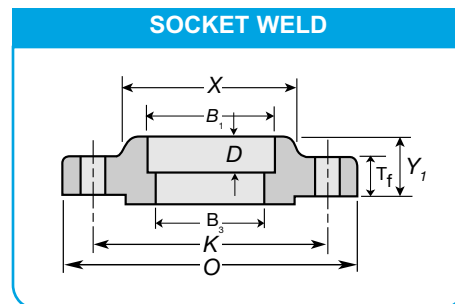
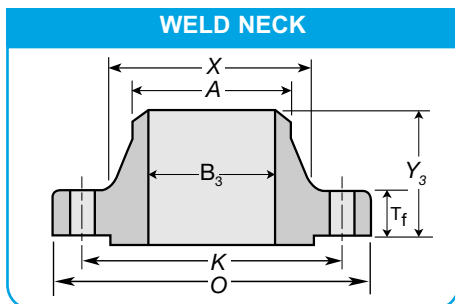


+44 (0) 1384 401080



Class 400 (Use Class 600 dimensions for 1/2" to 3.1/2" nb)

Nominal Pipe Size		O	Tf	X	A	Length			T	Bore			r	D	Drilling L K				
						Y1	Y2	Y3		B1	B2	B3			Q	No. of Bolts	Dia. of Bolts	Dia. of Bolt Hole	Dia. of Bolt Circle
in.	mm	mm	mm	mm	mm	mm	mm	mm	mm	mm	mm	mm	mm	mm		in.	in.	mm	
4	100	255	35.0	146	114.3	51	51	89	37	116.1	116.8	Note 1	117.6	11	.	8	7/8	1	200.0
5	125	280	38.1	178	141.3	54	54	102	43	143.8	144.5	Note 1	144.4	11	.	8	7/8	1	235.0
6	150	320	41.3	206	168.3	57	57	103	46	170.7	171.4	Note 1	171.4	13	.	12	7/8	1	269.9
8	200	380	47.7	260	219.1	68	68	117	51	221.5	222.2	Note 1	222.2	13	.	12	1	1.1/8	330.0
10	250	445	54.0	321	273.0	73	102	124	56	276.2	277.4	Note 1	276.2	13	.	16	1.1/8	1.1/4	387.4
12	300	520	57.2	375	323.8	79	108	137	61	327.0	328.2	Note 1	328.6	13	.	16	1.1/4	1.3/8	450.8
14	350	585	60.4	425	355.6	84	117	149	64	359.2	360.2	Note 1	360.4	13	.	20	1.1/4	1.3/8	514.4
16	400	650	63.5	483	406.4	94	127	152	69	410.5	411.2	Note 1	411.2	13	.	20	1.3/8	1.1/2	571.5
18	450	710	66.7	533	457.0	98	137	165	70	461.8	462.3	Note 1	462.0	13	.	24	1.3/8	1.1/2	628.6
20	500	775	69.9	587	508.0	102	146	168	74	513.1	514.4	Note 1	512.8	13	.	24	1.1/2	1.5/8	685.8
24	600	915	76.2	702	610.0	114	159	175	83	616.0	616.0	Note 1	614.4	13	.	24	1.3/4	1.7/8	812.8